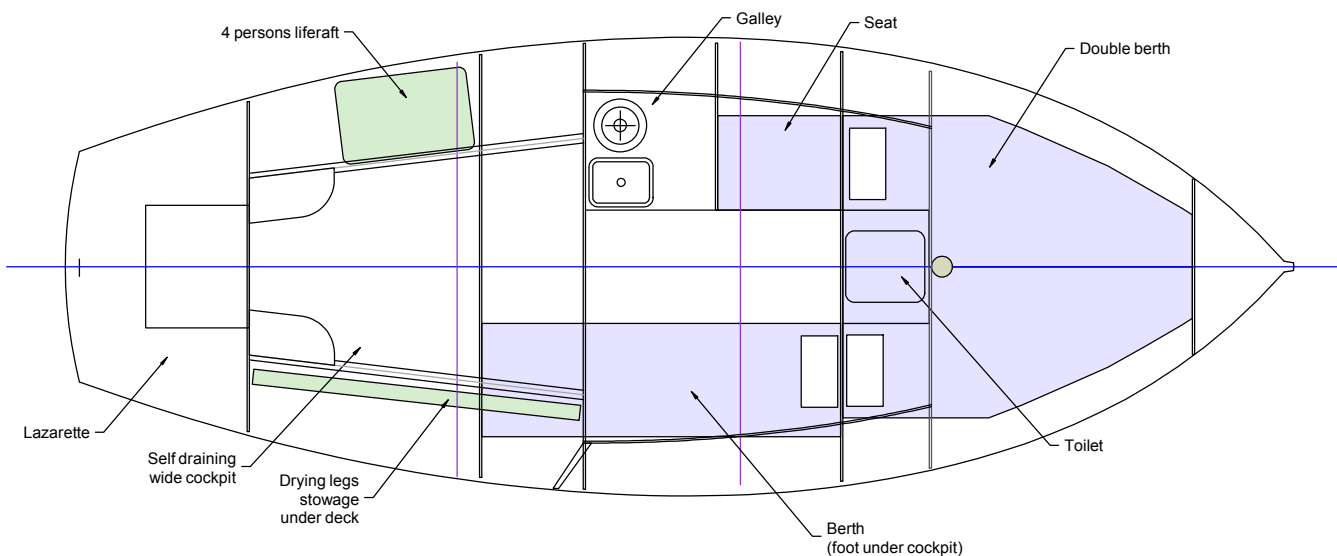
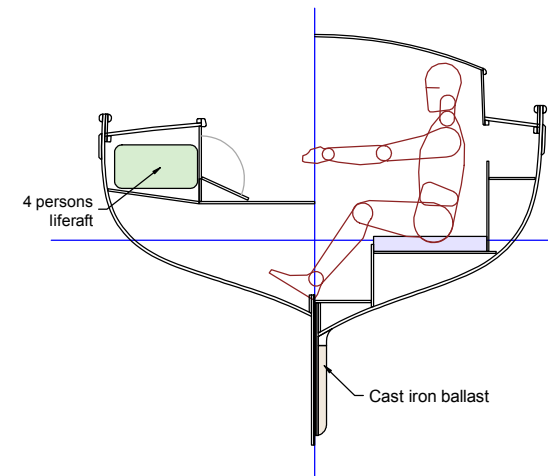
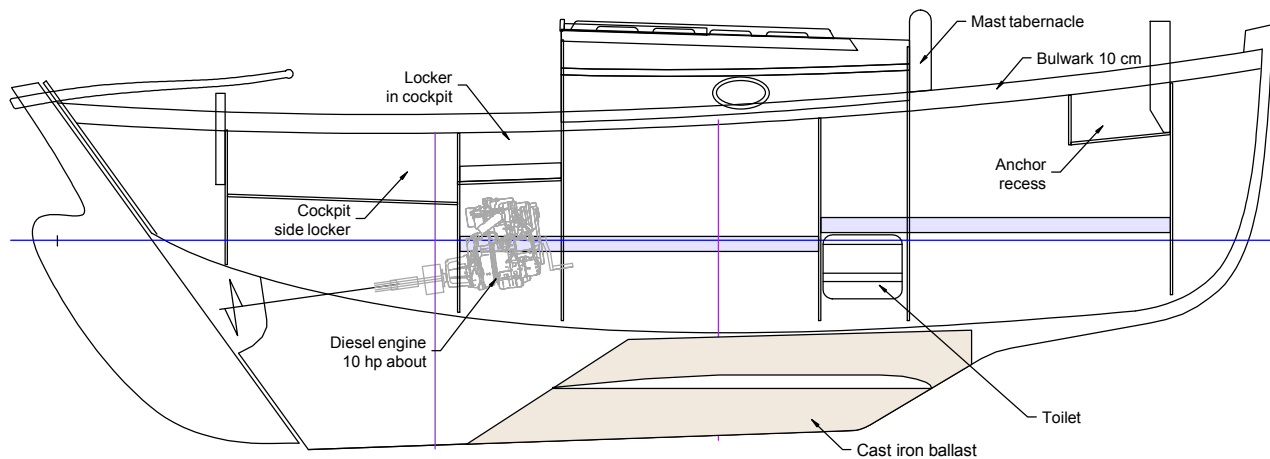




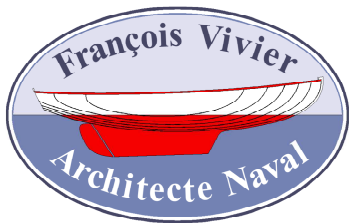
Koalen 22

General arrangement



Hull length: 6.50 m
 Waterline length: 5.80 m
 Breadth: 2.45 m
 Draught : 1.10 m
 Loaded displacement : 2 300 kg
 Ballast: 700 kg (about)

Scale 1/40
 2 August 2008



Koalen 22

Sail plan

